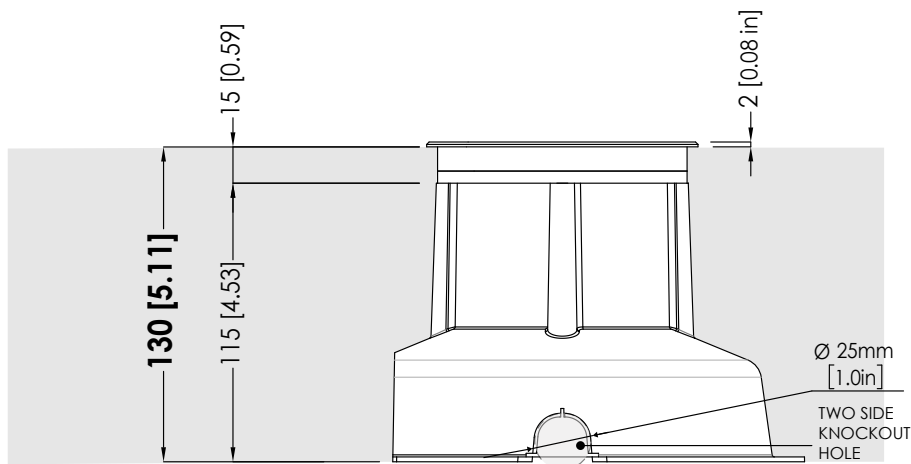
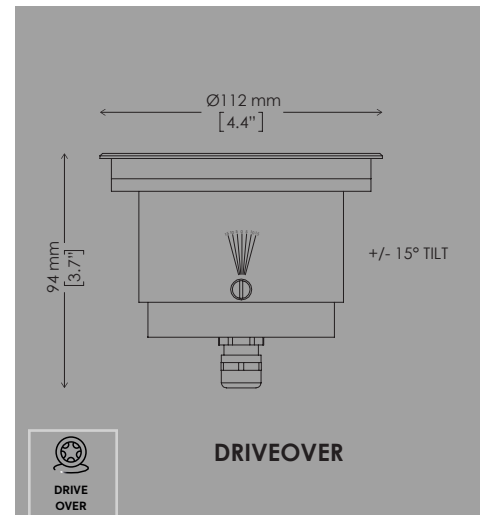
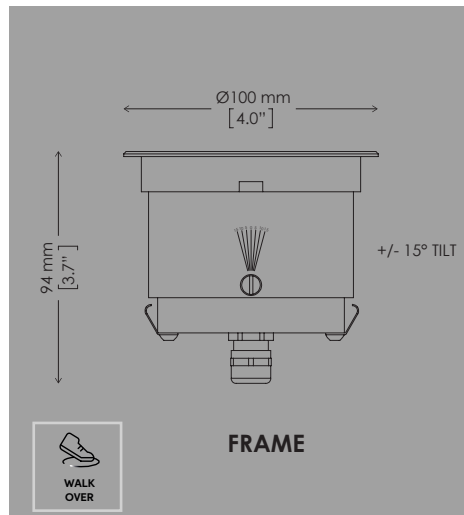
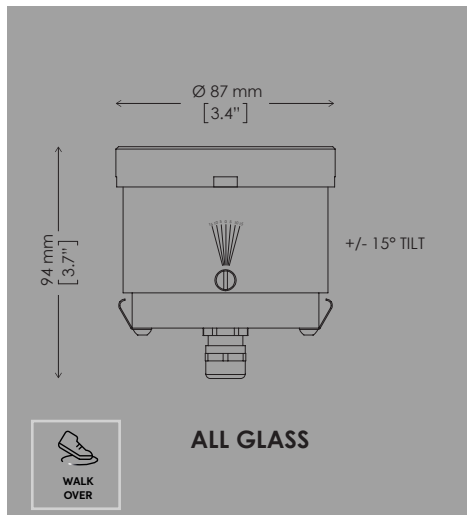


Code / Codice	AL5325		
	<b>Moon Recessed Adjustable W</b>		<b>Moon Recessed Adjustable RGBW /DW</b>
	SP/NA/ME/WI/EW	ULTRASPOT	
Power consumption Consumo di energia	8W MAX	3W MAX	4,6W MAX
Remote Power supply Alimentatore Remoto	Constant Current: 250 mA	Constant Current: 800mA	Costant Voltage: 24 Vdc
Foward voltage	35 V	3 V	
Electrical class Classe elettrica	III		
Weight / Peso	1 Kg / 2,2 lb		
Operating temperature Temperatura di funzionamento	-30°C to 40°C / (-22°F to 104°F)		
IP rating / Grado IP	IP68		
IK rating / Grado IK	IK10		

### Size / Dimensioni



## Important notices - Avvisi importanti

- This product must be installed in accordance with applicable national and local electrical and construction codes by a person familiar with the construction and operation of the product and the hazards involved. Failure to comply with the following installation instructions may result in death or serious injury.
- Do not stare at the operating light source.
- The fixture might be damaged by excess voltage. The installation of an overvoltage protection device on the electrical system (SPD) is recommended for reduce the risk of damage.
- The use of an adequate magnetothermic switch along the power supply line is recommended.
- Connect the fixtures to each other only when disconnected from mains.
- Never leave cables and connectors unconnected or unprotected for long periods.
- Disconnect power before installing or servicing to avoid electrical shock.
- Disconnect power before any connection operation.
- Check voltage and frequency before powering the fixture. Do not exceed fixture specified voltage.
- Do not handle the unit with wet hands or in wet environments.
- Apply to qualified staff for any maintenance service not described in this instructions manual.
- Do not exceed the maximum quantity of fixtures per line in order to avoid power surges.
- Before powering the unit, ensure to use cables and connectors with proper section and length, according to its power consumption.
- Fix the projector by using screws, hooks or other adequate supports that can bear its weight.
- If the external flexible cable of this appliance is damaged, it must only be replaced by the manufacturer, its assistance service or equivalent qualified personnel in order to avoid hazards.
- Integrated temperature control, the projector reduces power when  $T_a > 35^\circ\text{C}$ .
- The luminaire should be positioned so that prolonged observation of the luminaire at a distance of less than 2 meters (6.56 ft) is not expected.



**CAUTION:** Prolonged staring at the LED source should be avoided by placing the fixture in a proper position.



**WARNING !** Fixing and connecting operations must mandatorily be carried out by qualified personnel only !



**WARNING !** Make sure that power supply is off before connecting or disconnecting fixtures !

The possibility of reusing some electrical parts of the device is subject to the total responsibility of the user. The label shows the symbol indicated in Legislative Decree n.49 of 14 March 2014 which transposes Directive 2012/19 / EU, which indicates the need to dispose of the product in separate waste, specifically in electrical waste. and electronic. Refer to the waste collection center located in your area.

Replaceable control gear by a professional



Replaceable (LED only) light source by a professional

This product contains a light source of energy efficiency class:



**ATTENZIONE!** Fissare la sorgente LED per un periodo prolungato va evitato posizionando l'apparecchio nella posizione appropriata.



**ATTENZIONE !** Le operazioni di fissaggio e collegamento devono essere eseguite solo e obbligatoriamente da personale qualificato!



**ATTENZIONE !** Assicurarsi che l'alimentazione sia spenta prima di collegare o scollegare i dispositivi!



La possibilità di riutilizzare alcune parti elettriche del dispositivo è subordinata alla totale responsabilità dell'utilizzatore. Nell'etichetta è stato riportato il simbolo indicato nel D.lgs n.49 del 14 Marzo 2014 che recepisce la direttiva 2012/19/UE, il quale indica la necessità di smaltire il prodotto nei rifiuti differenziati, nello specifico nei rifiuti di tipo elettrico ed elettronico. Fare riferimento al centro di raccolta rifiuti situato nella Vostra zona.



Alimentatore sostituibile da un professionista



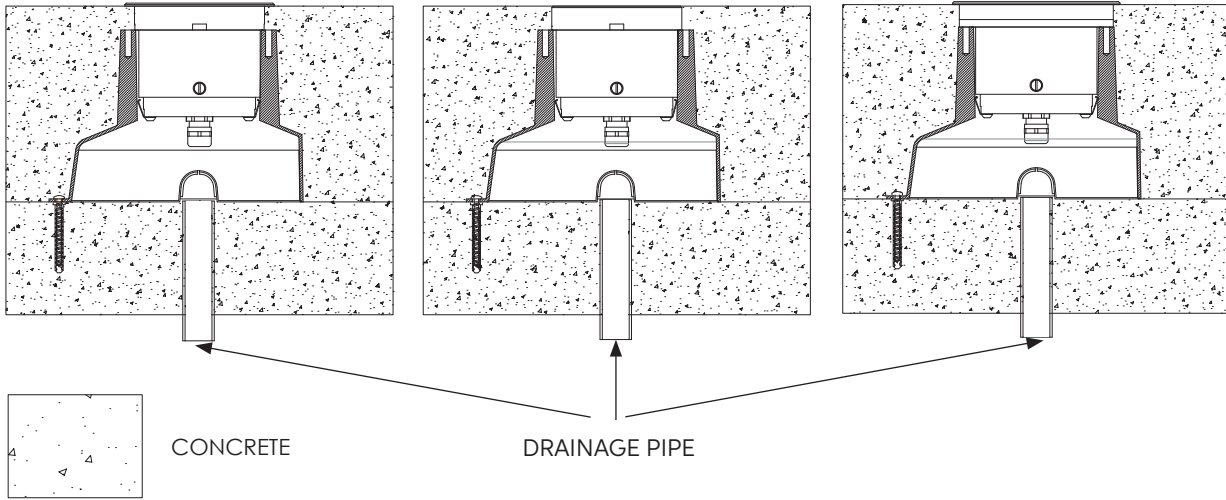
Sorgente luminosa (solo LED) sostituibile da un professionista

Questo prodotto contiene una sorgente luminosa di classe di efficienza energetica:

## Installation - Installazione

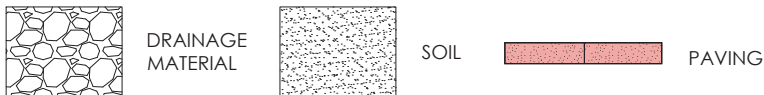
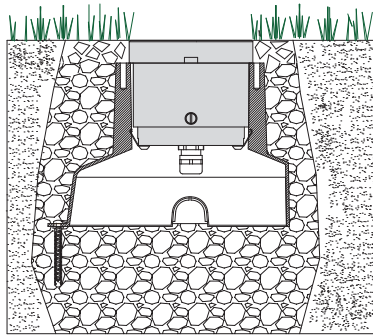
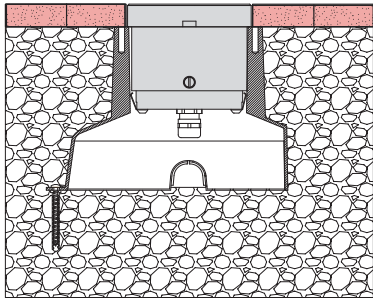
SOLID SOIL in concrete - Prearrange an adequate support for the formwork as well as a drainage system through a pipe that allows the water to flow without creating stagnations.

TERRENO SOLIDO in cemento - Predisporre un adeguato supporto alla cassaforma ed un drenaggio attraverso un tubo che permetta all'acqua di drenare senza creare ristagni.



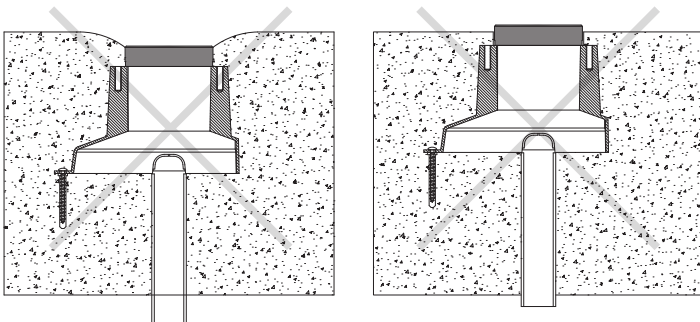
SOFT SOIL - Arrange an adequate water drainage system with pebbles.

TERRENO MORBIDO - Predisporre un adeguato drenaggio con ciotoli per il drenaggio dell'acqua.



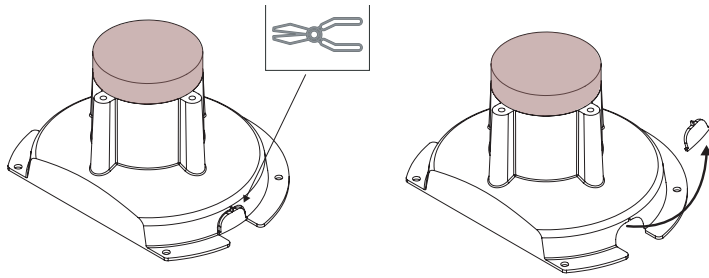
INCORRECT INSTALLATION

INSTALLAZIONE NON CORRETTA



Open the formwork on one side for the passage of the corrugated pipe. If necessary, also open it on the other side.

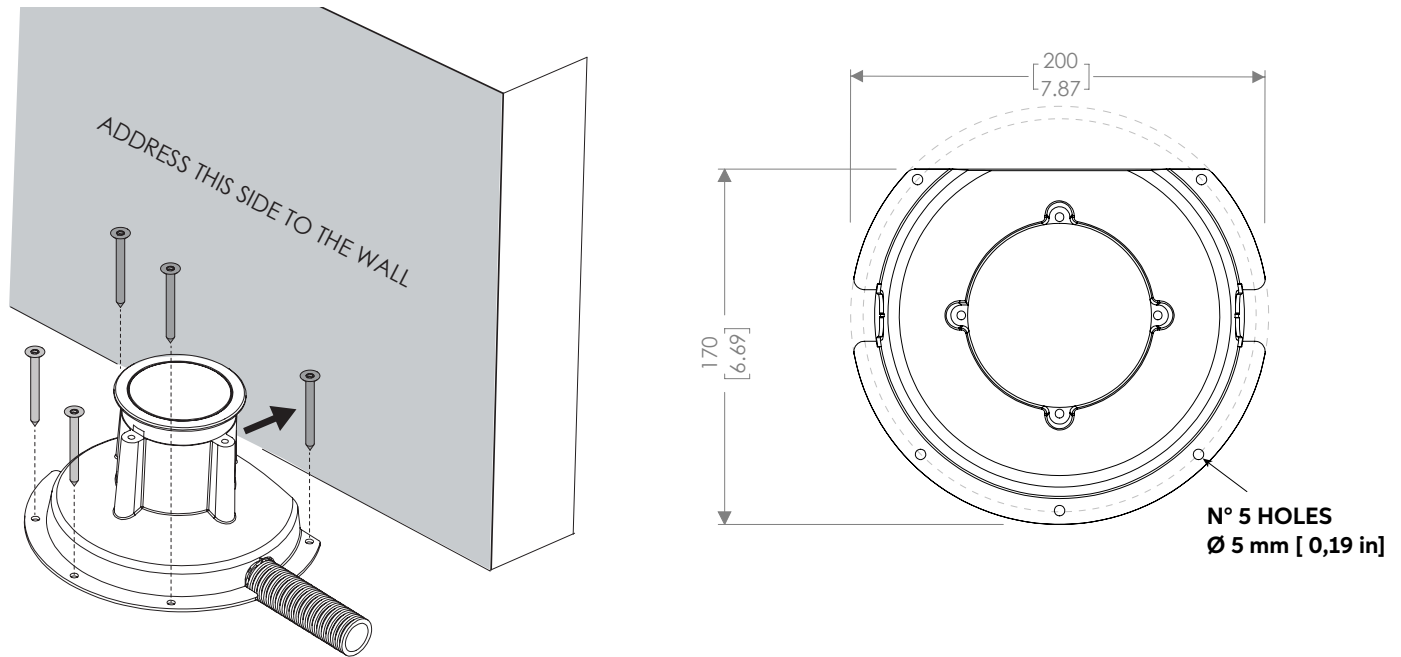
Rimuovere dalla cassaforma il primo tassello per il passaggio del tubo corrugato. Se necessario rimuovere anche il secondo tassello.



Insert the pipe into the formwork and then fix it to the ground through the specific fixing holes.

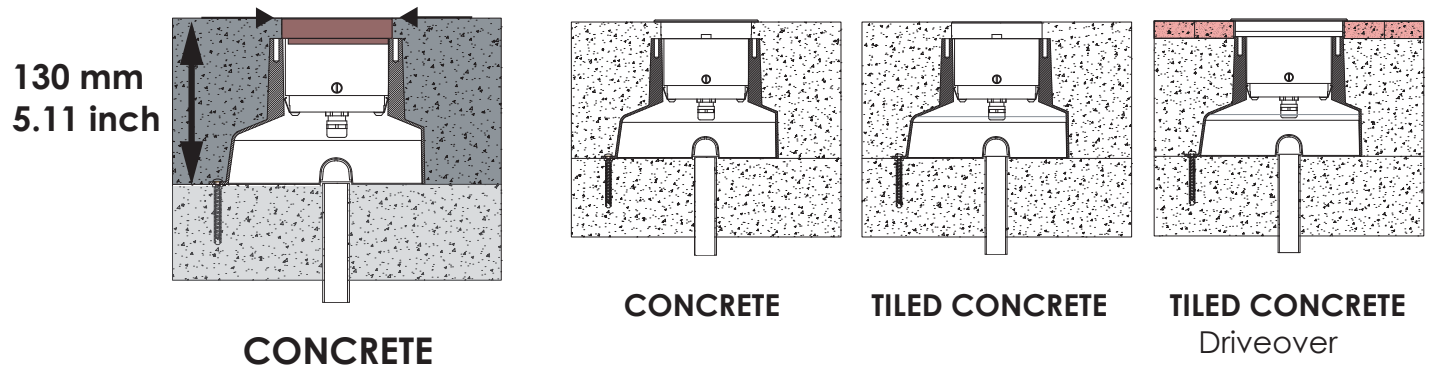
ATTENTION: Point the flat side of the formwork towards the wall as shown in the image below.

Posizionare il tubo corrugato nell'apposita apertura ricavata nella cassaforma e successivamente fissare la cassaforma al terreno utilizzando gli appositi fori di fissaggio. ATTENZIONE Orientare la faccia piana della cassaforma parallelamente al muro come indicato nell'immagine.



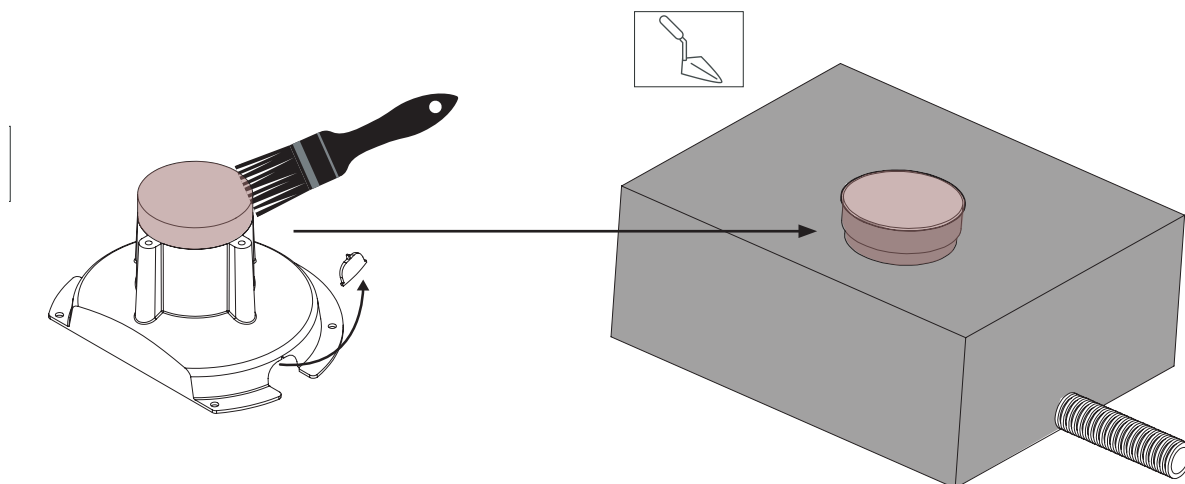
ATTENTION: pour cement up to the level of the cap.

ATTENZIONE: versare il cemento fino al livello del tappo.



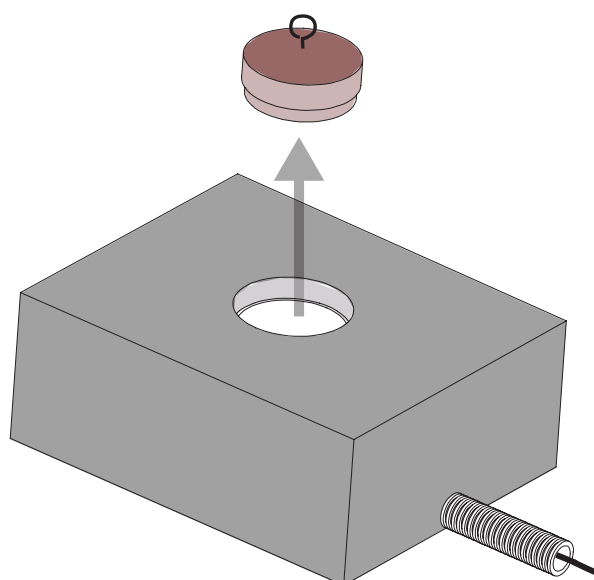
ATTENTION: To facilitate the removal of the cap, its recommended to use a release agent for formworks.

ATTENZIONE: Per facilitare l'estrazione del tappo si consiglia di utilizzare un agente distaccante per cassaforme.



Fill with cement up to the level of the cap and clean off any material in excess that may prevent the removal of the cap

Riempire con cemento fino al livello del tappo e rimuovere l'eventuale materiale in eccesso che possa impedire la rimozione del tappo.



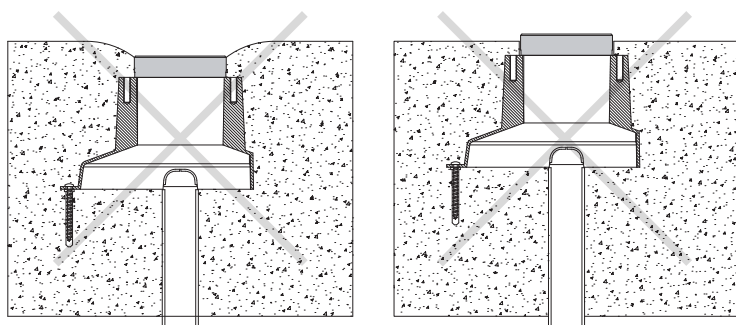
Before installing the fixture, remove the cap from the formwork by using pliers.

Prima di iniziare l'installazione dell'apparecchio rimuovere il tappo della cassaforma.

Facilitare l'operazione aiutandosi con una pinza per imprimere maggiore forza.

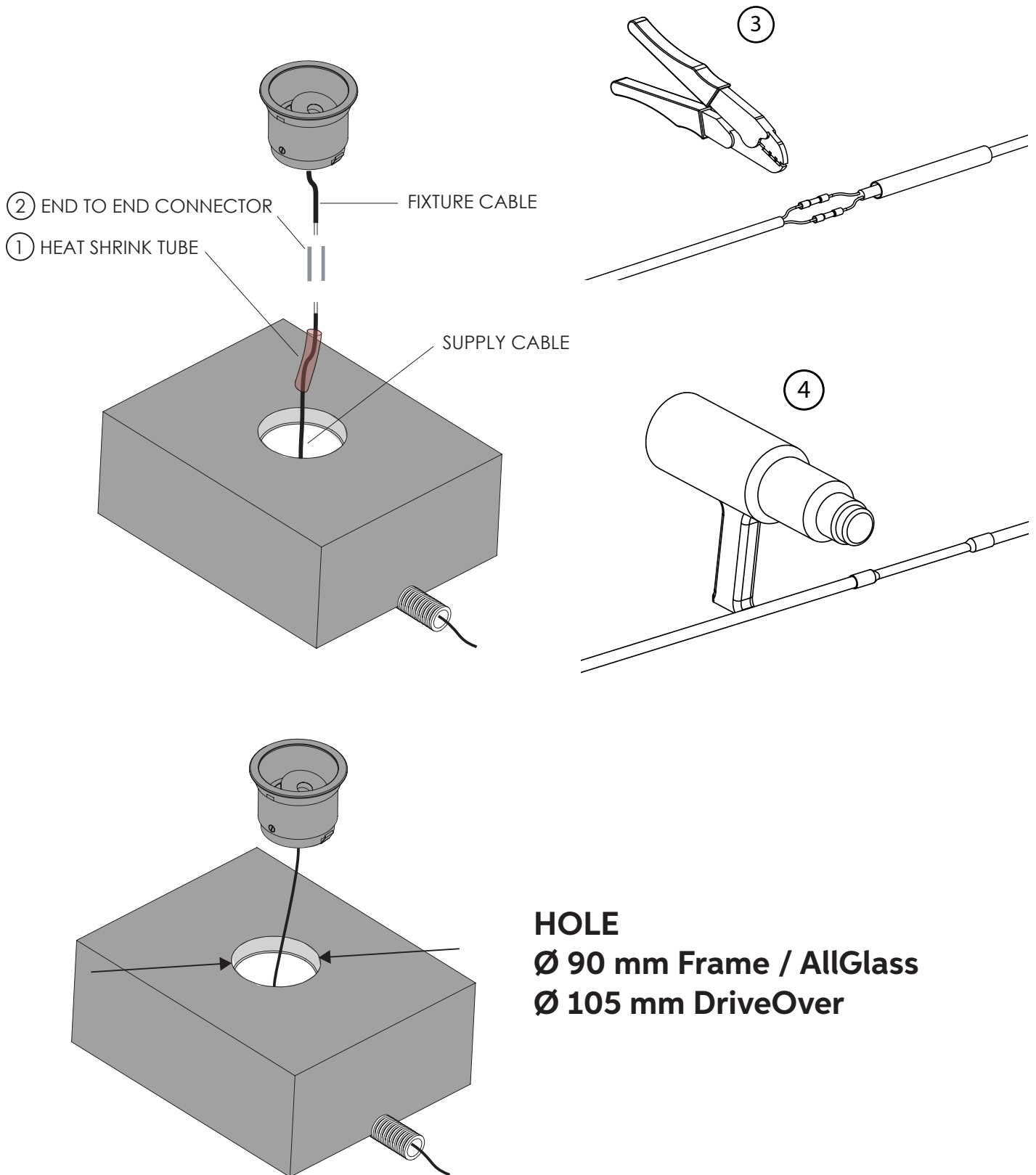
INCORRECT INSTALLATION

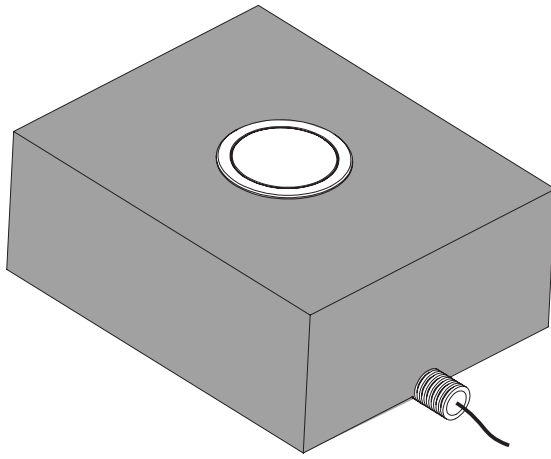
INSTALLAZIONE NON CORRETTA



Connect the fixture to the power cable. Put the heat shrink tube fitted with glue "1" on the power cable. Connect to the mains through the connectors "2", pressing them with the appropriate tool "3". Heat the tube using the heater "4" until it completely shrinks. This connection will feature an IP67 protection degree.

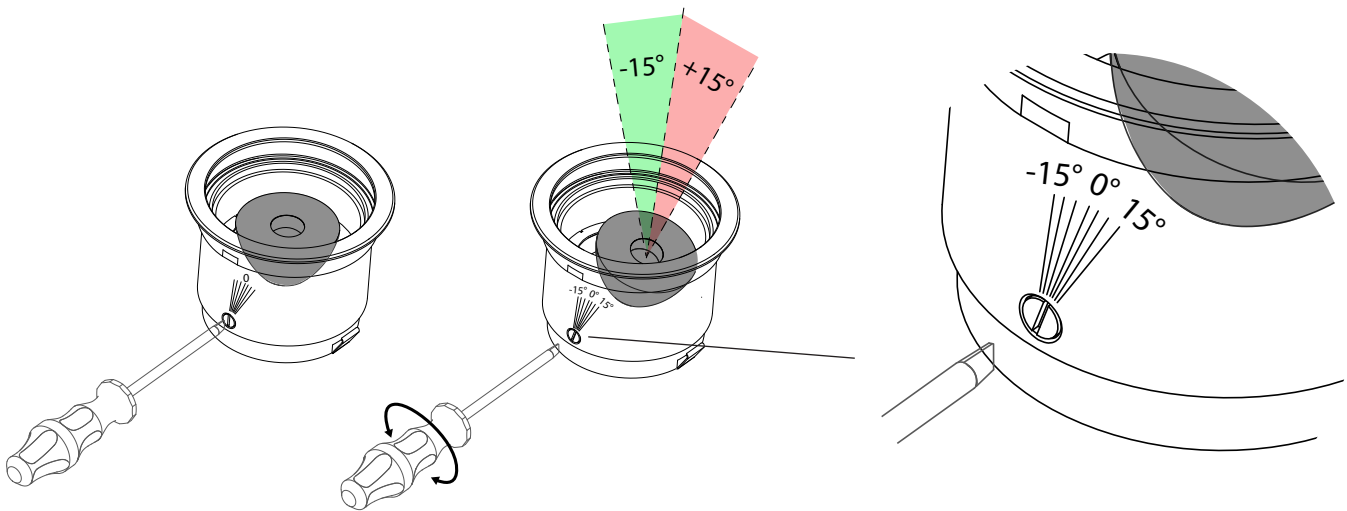
Connettere il proiettore al cavo di alimentazione. Inserire la guaina termorestringente con collante "1" sul cavo di alimentazione. Effettuare il collegamento alla rete tramite i connettori testa - testa "2", premendoli con l'apposito attrezzo "3". Riscaldare il tubo utilizzando un riscaldatore per tubi termoretraibili "4" fino a completo restringimento. La connessione così ottenuta ha un grado di protezione IP67.



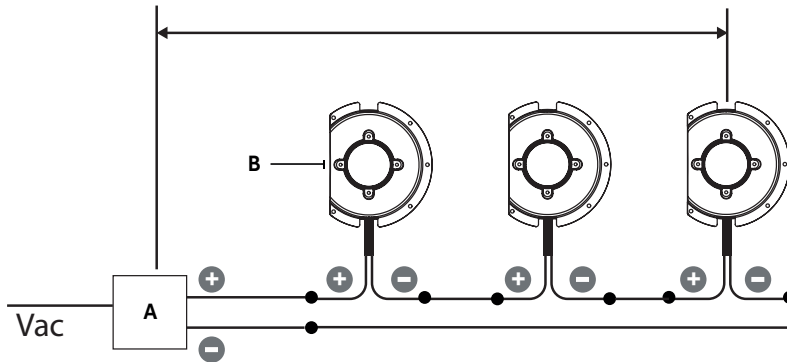


BEAM ORIENTATION - The beam can be tilted by  $15^\circ$  by using a screwdriver on the brass pin, as shown in the image below.

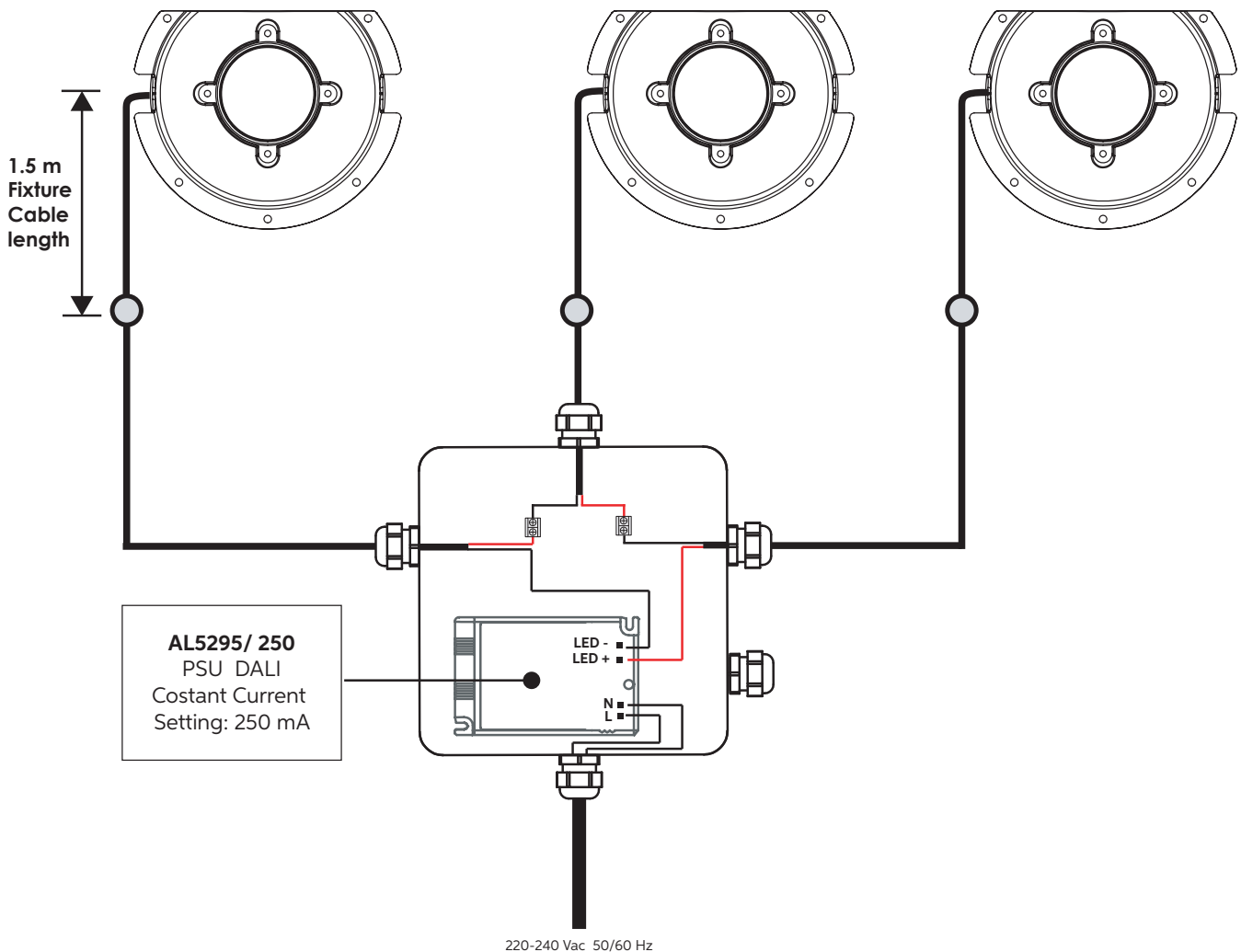
ORIENTAMENTO DEL FASCIO - E' possibile inclinare il fascio del proiettore di  $15^\circ$  agendo con un cacciavite sul perno in ottone come indicato nell'immagine sotto.



MINIMUM 1 FIXTURE MAXIMUM 3 FIXTURE  
 Distance between PSU and the last fixture: **20 meters**

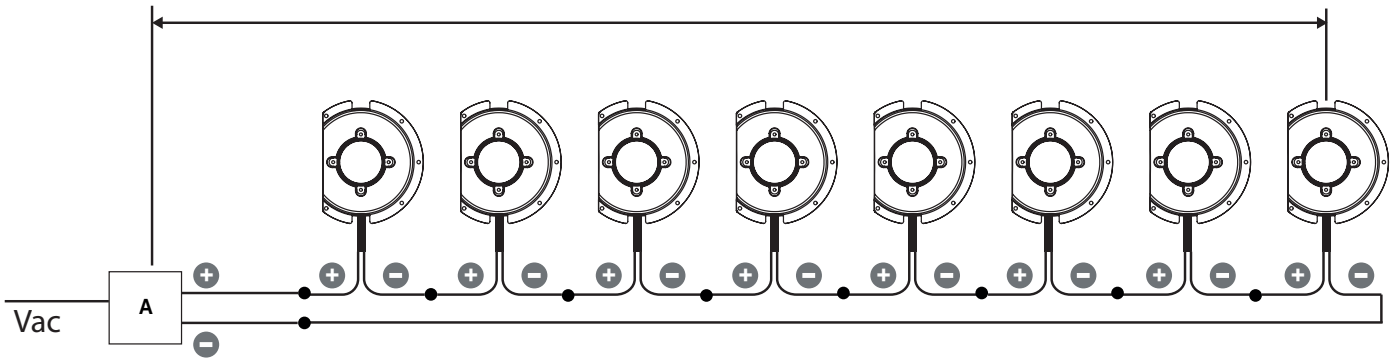


CABLE/CAVI	USE/UTILIZZO
RED / ROSSO	V+
BLACK / NERO	V-

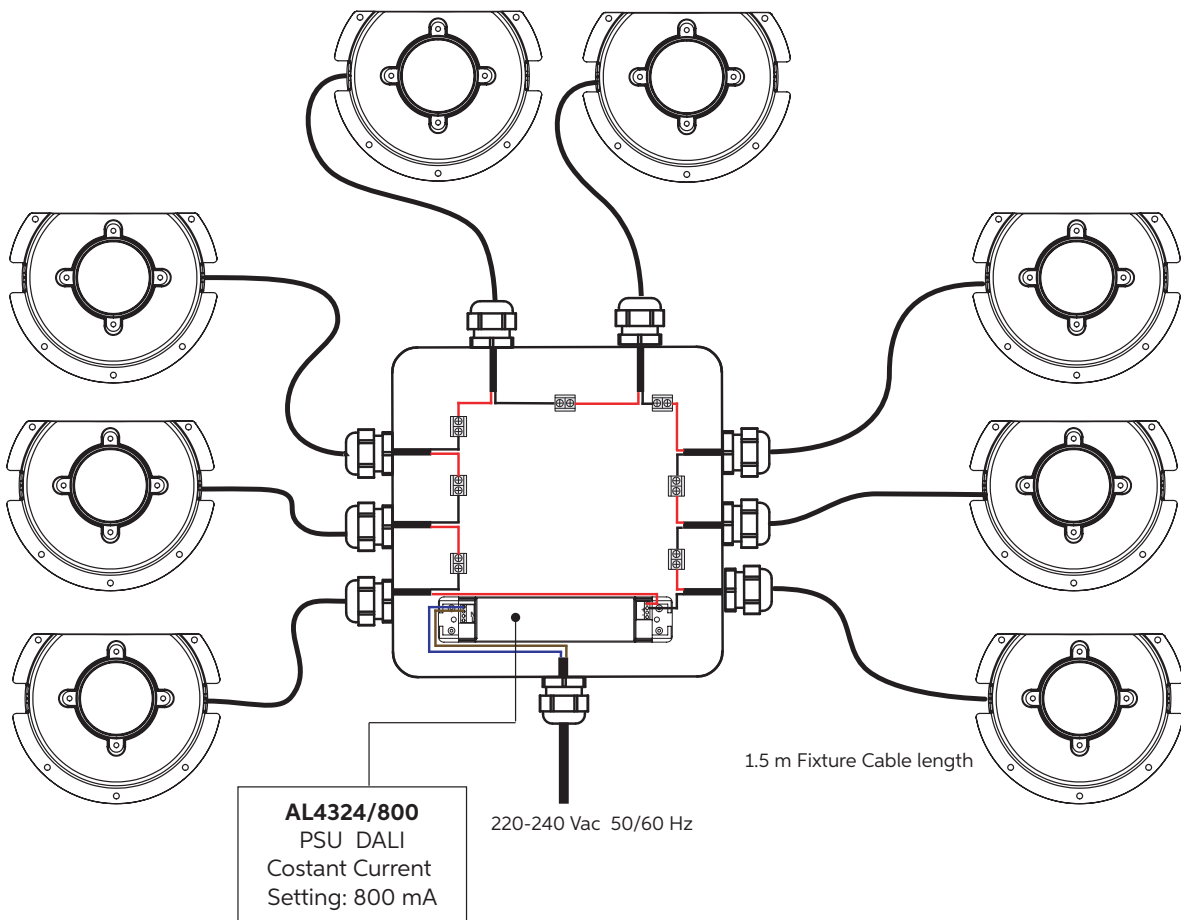




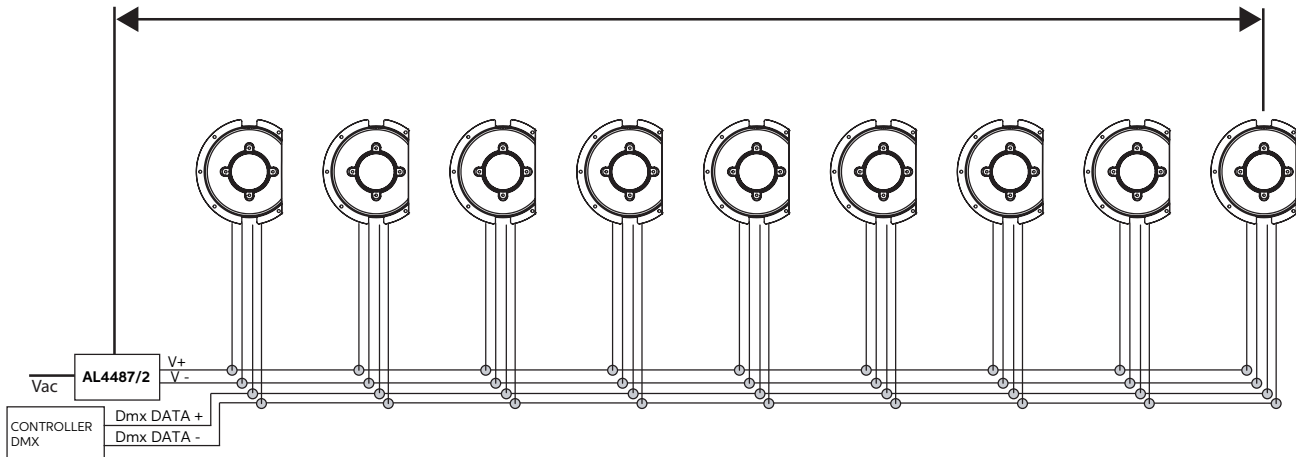
MINIMUM **1** FIXTURE MAXIMUM **8** FIXTURE  
 Distance between PSU and the last fixture: **42 meters**



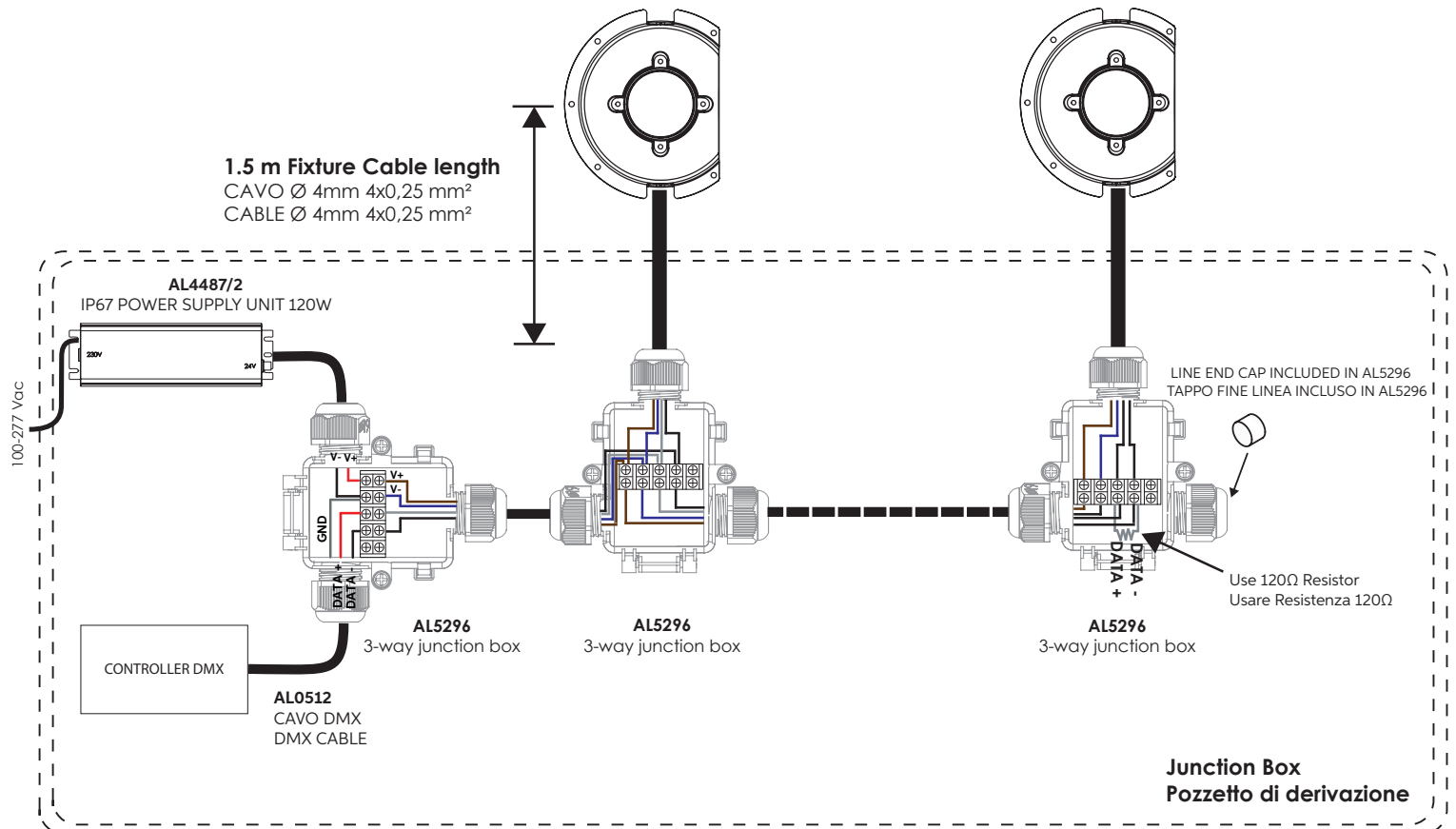
CABLE/CAVI	USE/UTILIZZO
RED / ROSSO	V+
BLACK / NERO	V-



**MAXIMUM 10 FIXTURE**  
 Distance between PSU and the last fixture: max. 50 meters



CABLE/CAVI	USE/UTILIZZO
BROWN / MARRONE	V+
BLUE / BLU	V-
WHITE / BIANCO	DMX DATA +
BLACK / NERO	DMX DATA -



# DMX Chart

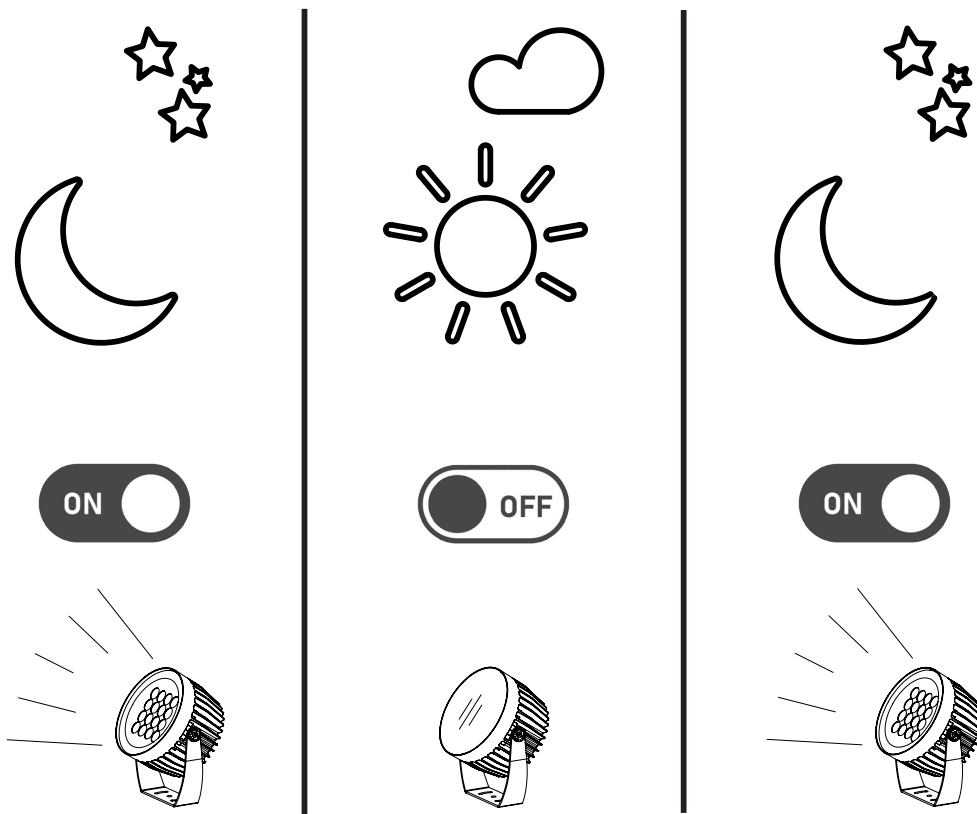
## RGBW and DW

Mode	Channel	Function	Value	
<b>Mode 4 channel - "RGBW 4ch"</b>				
#1	1	0-100% Red	0-255	
	2	0-100% Green	0-255	
	3	0-100% Blue	0-255	
	4	0-100% White	0-255	
<b>Mode 5 channel - "RGBW 5ch"</b>				
#2	1	0-100% Red	0-255	
	2	0-100% Green	0-255	
	3	0-100% Blue	0-255	
	4	0-100% White	0-255	
	5	0-100% Dimmer	0-255	
<b>Mode 6 channel - "RGBW 6ch"</b>				
#3	1	0-100% Red	0-255	
	2	0-100% Green	0-255	
	3	0-100% Blue	0-255	
	4	0-100% White	0-255	
	5	0-100% Dimmer	0-255	
	6	No Strobo		0-5
		0-100% Strobo		6-250
100% Strobo		251-255		
<b>Mode 4 channel - "RGBW MIX"</b>				
#4	1	0-100% Red	0-255	
	2	0-100% Green	0-255	
	3	0-100% Blue	0-255	
	4	0-100% Calibrated White (affects RGB channels)	0-255	

## DW (Dynamic White)

Mode	Channel	Function	Value
<b>Mode 2 channel - "Dynamic White 2ch"</b>			
#1	1	Warm White 100% / Cold White 0%	0-003
		Warm White 100% / Cold White 0%-100%	004-122
		Warm White 100% / Cold White 100%	123-132
		Warm White 100%-0% / Cold White 100%	133-251
		Warm White 0% / Cold White 100%	252-255
	2	DIMMER 0-100%	0-255
<b>Mode 2 channel - "Separate White 2ch"</b>			
#2	1	0%-100% Warm white	0-255
	2	0%-100% Cold white	0-255

Note: in absence of DMX signal the LEDs will remain **ON**.



**Note:** Allowed operation only between sunset and sunrise

**Nota:** Accensione dell'apparecchio ammessa soltanto tra gli orari di tramonto e alba

### Remote PSU / Alimentatori Esterni

Forward voltage led	Current	Code	Description	PSU ON/OFF IP20 1 PSU for (X) fixtures	PSU DALI IP20 1 PSU for (X) fixtures	PSU ON/OFF IP67 1 PSU for 1 fixtures	PSU ON-OFF AND DALI IP67 1 PSU for (X) fixtures	PSU 0-10V IP67 1 PSU for (X) fixtures
35V	250mA	AL5309 / AL5327	Moon Marine W	N.A	AL5295/250 (DALI) (1-3pcs)	AL5363/250 (DALI) (1pc)	N/A	N/A
35V	250mA	AL5311 / AL5325	Moon Recessed W / Moon Recessed Adjustable	N.A	AL5295/250 (DALI) (1-3pcs)	AL5363/250 (DALI) (1pc)	N/A	N/A
35V	350mA	AL5310 / AL5312 / AL5314	Moon W	AL5360/350 (ON/OFF) (1pc)	AL5295 (DALI) (1-3pcs)	AL5363/350 (DALI) (1pc)	AL5364/350 (1pc)	AL5364/350 (1pc)
3V	700mA	AL5317	Half Moon Recessed W	AL5360/700 (ON/OFF) (1-12pcs)	AL4324/700 (DALI) (1-9pcs)	N/A	AL5363/700 (4-14pcs)	AL5364/700 (4-14pcs)
3V	800mA	AL5309 / AL5327	Moon Marine Ultraspot W	AL5360/800 (ON/OFF) (1-12pcs)	AL4324/800 (DALI) (1-8pcs)	N/A	AL5364/800 (4-14pcs)	AL5364/800 (4-14pcs)
3V	800mA	AL5311 / AL5325	Moon Recessed Ultraspot W / Moon Recessed Adjustable Ultraspot W	AL5360/800 (ON/OFF) (1-12pcs)	AL4324/800 (DALI) (1-8pcs)	N/A	AL5364/800 (4-14pcs)	AL5364/800 (4-14pcs)
3V	900mA	AL5315/ AL5316 / AL5318	Half Moon W	AL5360/900 (ON/OFF) (1-12pcs)	AL4324/900 (DALI) (1-8pcs)	N/A	AL5364/900 (4-14pcs)	AL5364/900 (4-14pcs)
3V	900mA	AL5324 / AL5326	Half Moon Marine W	AL5360/900 (ON/OFF) (1-12pcs)	AL4324/900 (DALI) (1-8pcs)	N/A	AL5364/900 (4-14pcs)	AL5364/900 (4-14pcs)
3V	1000mA	AL5310 / AL5312 / AL5314	Moon Ultraspot W	AL5360/1000 (ON/OFF) (1-12pcs)	AL4324/1000 (DALI) (1-8pcs)	N/A	AL5364/1000 (4-14pcs)	AL5364/1000 (4-14pcs)